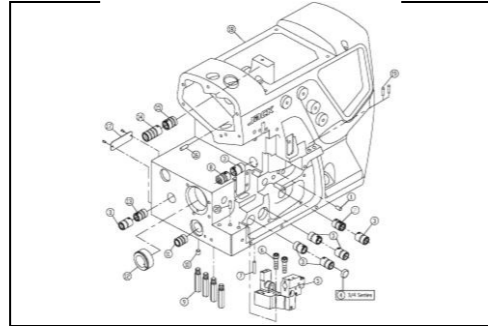


JACK

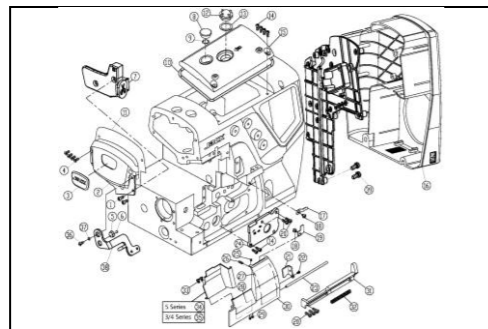
快速服务 100%

C4超高速包缝机 Super high speed overlock sewing machine



一、机壳部件/Machine Bed Frame

Table with 7 columns: Part No., Part Name, Description, and quantity (Three-thread, Four-thread, Five-thread).

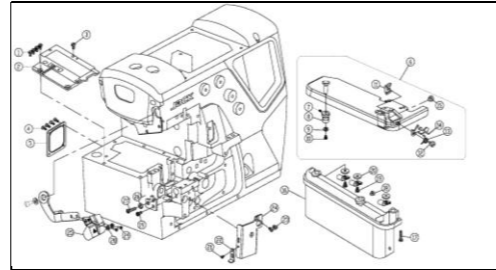


二、机壳罩部件(1)/Cover (1)

Table with 7 columns: Part No., Part Name, Description, and quantity (Three-thread, Four-thread, Five-thread).

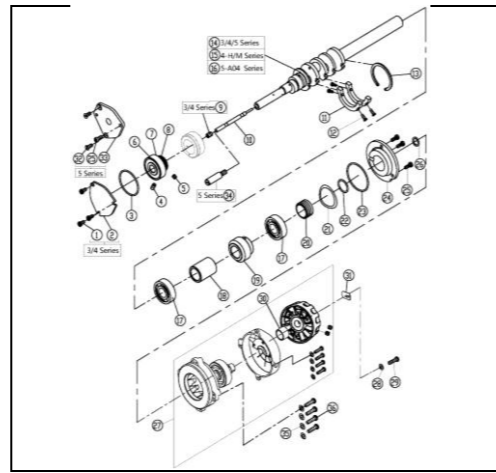
零件手册 Parts Manual

Table with 7 columns: Part No., Part Name, Description, and quantity (Three-thread, Four-thread, Five-thread).



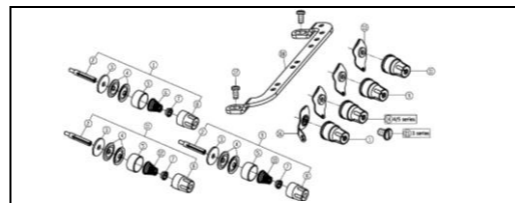
三、机壳罩部件(2)/Cover (2)

Table with 7 columns: Part No., Part Name, Description, and quantity (Three-thread, Four-thread, Five-thread).



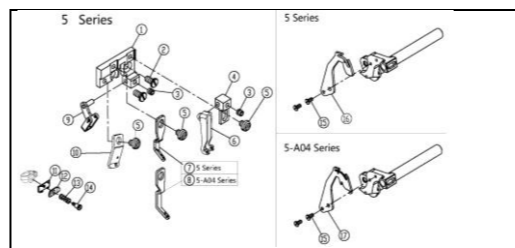
四、主轴部件/Crankshaft Drive Mechanism

Table with 7 columns: Part No., Part Name, Description, and quantity (Three-thread, Four-thread, Five-thread).



五、夹线部件/Thread Tension Mechanism

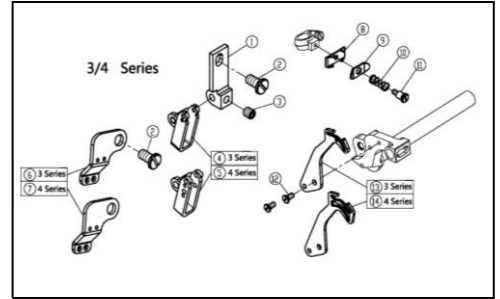
Table with 7 columns: Part No., Part Name, Description, and quantity (Three-thread, Four-thread, Five-thread).



六、过线机构(1)/Thread Guide and Thread Takeup(1)

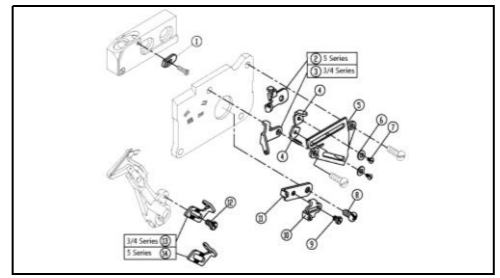
Table with 7 columns: Part No., Part Name, Description, and quantity (Three-thread, Four-thread, Five-thread).

Table with 7 columns: Part No., Part Name, Description, and quantity (Three-thread, Four-thread, Five-thread).



七、过线机构(2)/Thread Guide and Thread Takeup(2)

Table with 7 columns: Part No., Part Name, Description, and quantity (Three-thread, Four-thread, Five-thread).



八、过线机构(3)/Thread Guide and Thread Takeup(3)

Table with 7 columns: Part No., Part Name, Description, and quantity (Three-thread, Four-thread, Five-thread).





