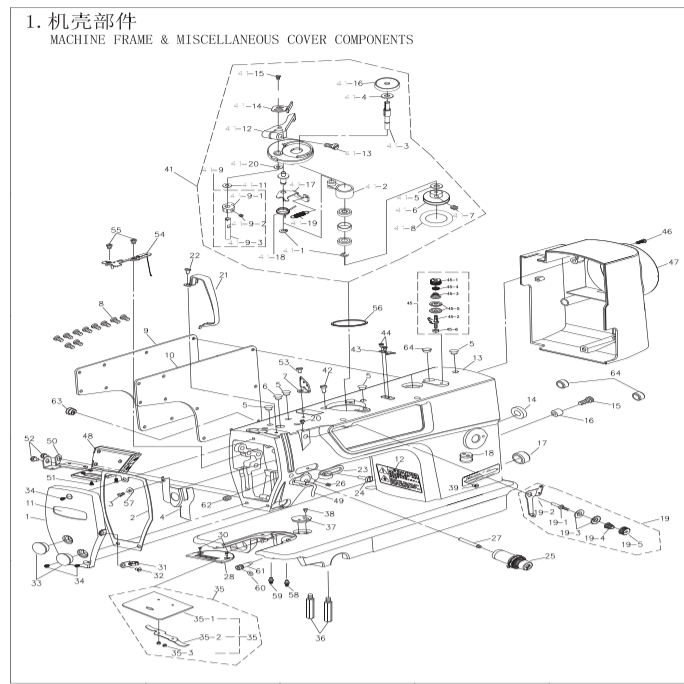
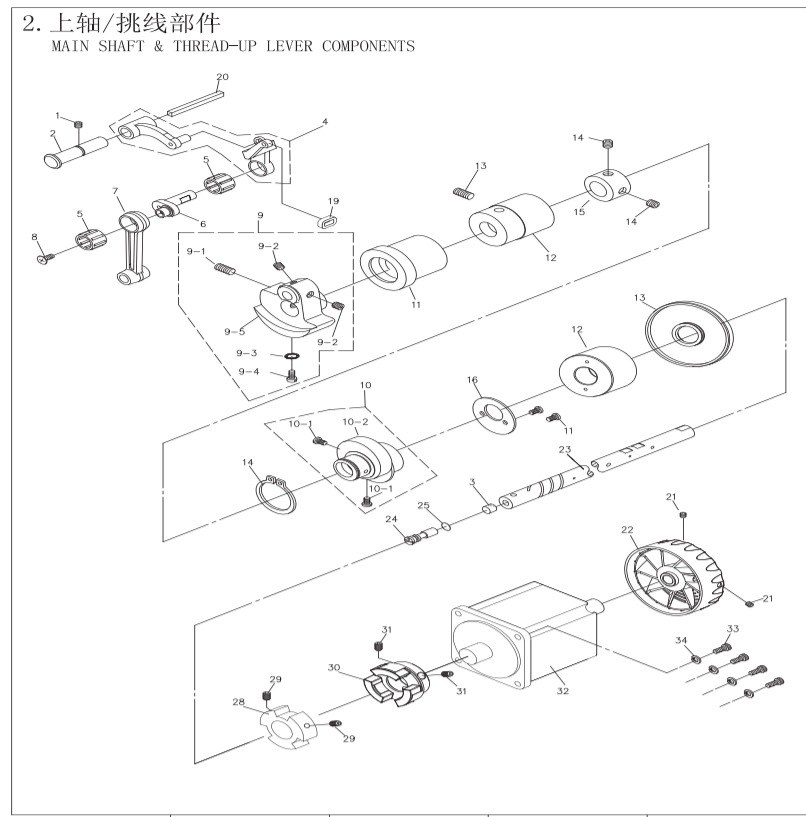


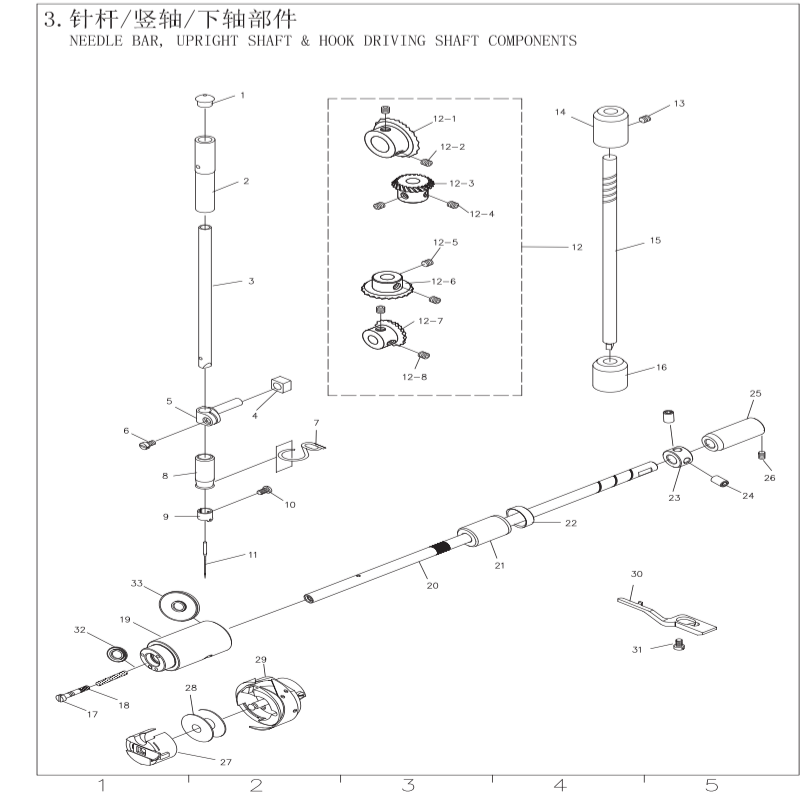
触控式直驱电脑平缝机零件说明书



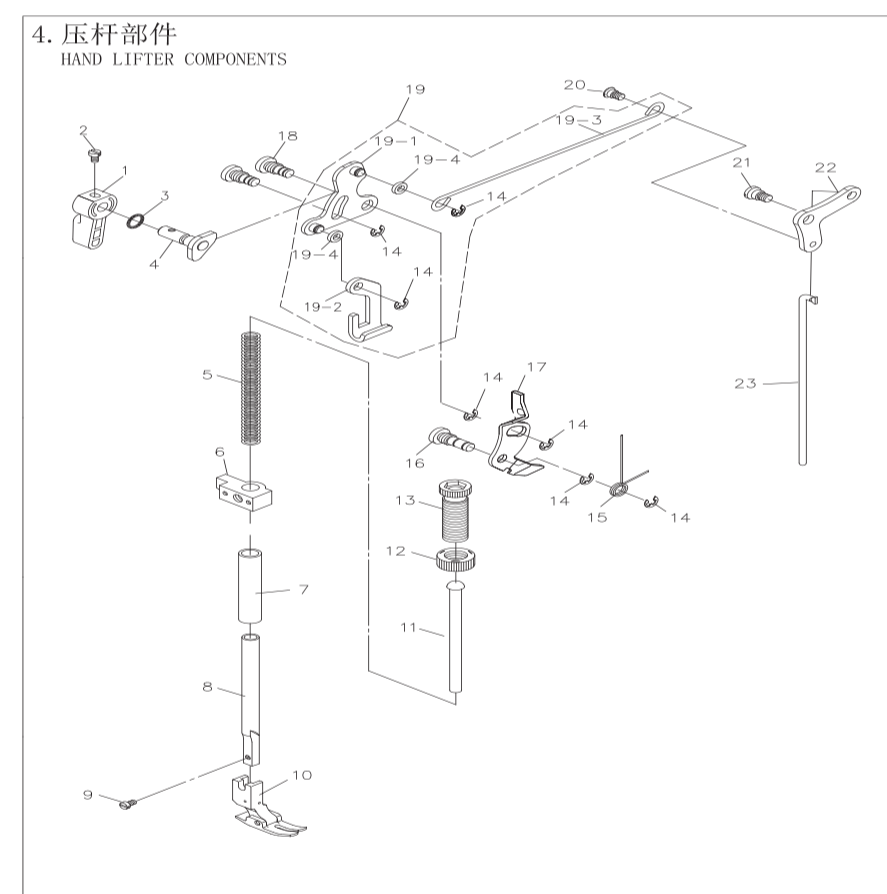
1. 机壳部分 MACHINE FRAME&MISCELLANEOUS COVER COMPONENTS					
序号 Ref.No.	新图号 new part No.	名称 Part name	Name of parts	数量 Qty	备注 Note
1	280001001	面板	Face plate	1	
2	280001002	面板垫	Face plate gasket	1	
3	S073184404	面部板螺钉	Screw 1/8×44 L=4	1	
4	280001004	面部防油板	Arm oil shield	1	
5	991001005	挑线连杆销孔塞	Rubber plug	4	
6	991001006	针杆曲柄橡胶垫	Rubber plug	1	
7	991001007	三眼过线板	Thread guide rod	1	
8	S074762809	后窗板螺钉	Screw 3/16×28 L=9	11	
9	280001009	后窗板	Side plate	1	
10	280001010	后窗板垫	Gasket	1	
11	280001011	面板商标贴	Face plate	1	
12	991001012	安全指示牌	Safety label	1	
13	280001013	机壳	Machine cover	1	
14	991001014	送料调节器孔塞	Rubber plug	1	
15	S184782818	倒缝限位套紧固螺钉	Screw 3/16×28 L=18	1	
16	991001016	倒缝限位套	Reverse feed lever stopper	1	
17	991001017	下轴衬套	Rubber plug	1	
18	991001018	导线过线套	Magnet cord rubber	1	
19	991001019	小夹线器组件	Thread tension asm	1	
19-1	991001019-1	小夹线螺钉	Small clip line screw	1	
19-2	991001019-2	小夹线过线板	Thread tension guide	1	
19-3	991001019-3	小夹线板	Thread tension disk	2	
19-4	991001019-4	小夹线簧	Thread tension spring	1	
19-5	991001019-5	小夹线螺母	Thread tension nut	1	
20	S094762806	小夹线螺母支架螺钉	Screw 3/16×28 L=6	1	
21	991001021	挑线防护罩	Thread take-up lever cover	1	
22	S094762806	挑线防护罩螺钉	Screw 3/16×28 L=6	1	
23	991001023	右线钩	Arm thread guide right	1	
24	S074374006	右线钩螺钉	Screw 1/64×40 L=6	1	
25	280001025	夹线器组件	Thread tension asm	1	
26	S145952807	夹线器支架螺钉	Screw 1/54×28 L=7	1	
27	280001027	松线钉	Tension releasing	1	
28	991001028	针板 (薄料/4排牙)	Throat plate	1	
28	991001028H	针板 (厚料/3排牙)	Throat plate	1	
28	991001028D	针板 (大针距/3排牙)	Throat plate	1	
30	S044374006	针板螺钉	Screw 1/64×40 L=6	2	
31	991001031	左线勾	Arm thread guide left	1	
32	S073574008	右线勾螺钉	Screw 9/64×40 L=6	1	
33	991001033	面板调节孔塞	Rubber plug	1	
34	S094762818	面板螺钉	Screw 3/16×28 L=18	3	
35	991001035	推板组件	Slide plate asm	1	
35-1	991001035-1	推板	Slide plate	1	
35-2	991001035-2	推板簧	Bed slide spring	1	
35-3	S082385602	推板簧螺钉	Screw 3/32×56 L=2.2	2	
36	280001036	底座支柱	Bed slide spring	4	
37	991001037	卷边器	Ruler stopper	1	
38	S044374006	卷边器螺钉	Screw 1/64×40 L=6	2	
39	991001039	型号牌螺钉	Pole	2	
40	280001040	型号牌	Modle plate	1	
41	991001041	绕线器组件	Winder assembly	1	
41-1	991001041-1	挡圈E4	Ring E4	2	
41-2	991001041-2	绕线轴底座	Bobbin base	1	
41-3	991001041-3	绕线轴	Spool	1	
41-4	991001041-4	O型圈P9	O ring	1	
41-5	991001041-5	平垫圈S6	Flat washer	1	
41-6	991001041-6	绕线轮	Winding wheel	1	
41-7	991001041-7	螺钉MSX5	Screw MSx5	2	
41-8	991001041-8	橡皮垫圈29	Rubber washer	1	
41-9	991001041-9	梭芯凸轮组件	Shuttle cam asm.	1	
41-9-1	991001041-9-1	梭芯凸轮	Shuttle cam	1	
41-9-2	991001041-9-2	螺钉MSX5	Screw MSx5	1	
41-9-3	991001041-9-3	梭芯夹轴	Shuttle clamp shaft	1	
41-11	991001041-11	平垫圈S6	Flat washer	2	
41-12	991001041-12	梭芯压臂柄	Shuttle arm handle	1	
41-13	991001041-13	螺钉M4X12	Screw	1	
41-14	991001041-14	梭芯夹	Bobbin clip	1	
41-15	991001041-15	螺钉SM4.76	Screw	2	
41-16	991001041-16	梭芯座	Bobbin base	1	
41-17	991001041-17	绕线杠杆	Winding lever	1	
41-18	991001041-18	弹簧	Spring	1	
41-19	991001041-19	弹簧	Spring	1	
41-20	991001041-20	O型密封圈S5	O type sealing ring	1	
42	M080500810	绕线器螺钉	Bobbin screw	3	
43	991001043	剃线刀	Knife	2	
44	S073574006	剃线刀螺钉	Knife screw	3	
45	991001045	挑线夹线器组件	Thread tension asm.	1	
45-1	991001045-1	夹线螺母	Tension nut	1	
45-2	991001045-2	夹线螺钉	Tension post	1	
45-3	991001045-3	夹线弹簧	Tension spring	1	
45-4	991001045-4	夹线板	Thread tension disk	2	
45-5	991001045-5	过线板	Thread tension guide	1	
45-6	991001045-6	夹线螺母 (下)	Tension nut	1	
46	280001046	电机罩壳	Motor cover	1	
47	S077932418	电机罩壳紧固螺钉	Screw	3	
48	3801202101	倒缝灯开关组件	Reverse seam lamp switch assembly	1	
49	28001049	大线勾	Presser bar thread guide	1	
50	991001050	倒缝灯开关支架	Switch support for reverse seam	1	
51	M090300505	倒缝灯开关架螺钉	Screw	2	
52	S094762406	倒缝灯开关固定螺钉	Screw	1	
53	S074374008	三眼过线螺钉	Screw	1	
54	991001054	油线板组件	Oil plate assembly	1	
55	S093574016	油线板固定螺钉	Screw	2	
56	991001056	绕线器垫片	Bobbin Washer	1	
57	991001057	防油板垫片	Grease plate gasket	1	
58	280001058	回油管接头 (下轴)	Return pipe joint (lower shaft)	1	
59	280001059	回油管接头 (上轴)	Return pipe joint (upper shaft)	1	
60	280001060	油量调节螺钉O型圈	O-Ring	1	
61	280001061	油量调节螺钉	Screw	1	
62	S15357406	大线勾紧固螺钉	Screw	1	
63	280001063	面板出线橡胶塞	橡胶塞	1	
64	991001058	橡胶塞	橡胶塞	3	



2. 上轴/挑线部件 MAIN SHAFT & THREAD-UP LEVER COMPONENTS					
序号 Ref.No.	新图号 new part No.	名称 Part name	Name of parts	数量 Qty	备注 Note
1	S125952510	挑线连杆销螺钉	Screw 15/64×28 L=10.5	1	
2	991002002	挑线连杆销	thread take-up crank shaft	1	
3	991002003	曲柄油限制毡	Roller felt	1	
4	991002004	挑线连杆组件 (厚料)	thread take-up lever asm	1	
4	991002004H	挑线连杆组件 (厚料)	thread take-up lever asm	1	
4	991002004D	挑线连杆组件 (铝制厚料)	thread take-up lever asm	1	
5	991002005	挑线杆滚针轴承	Needle bearing	2	
6	991002006	挑线曲柄	Needle bar crank	1	
7	991002007H	挑线曲柄 (厚料)	Needle bar crank	1	
7	991002007	针杆连杆	Needle bar crank rod	1	
8	991002008	挑线曲柄左旋螺钉	Left screw 9/64×40 L=4.8	1	
9	991002009	针杆曲柄组件	Counter weight	1	
9	991102009H	针杆曲柄组件(9911机型)	Counter weight	1	
9-1	S127142816	针杆曲柄紧固螺钉	Screw 9/32×28 L=16	1	
9-2	S126354006	挑线曲柄定位螺钉	Screw 1/4×40 L=6	2	
9-3	991002009-3	定位螺丝O型圈	Rubber ring	1	
9-4	S077142815	针杆曲柄定位螺钉	Screw 9/32×28 L=15.5	1	
9-5	991002009-5	针杆曲柄	Counter weight	1	
10	991002010	送料偏心轮组件	Feed drive eccentric cam asm.	1	
10-1	S07635401	送料偏心轮螺钉	Screw 1/4×40 L=11	1	
10-2	991002010-2	送料偏心轮	Feed drive eccentric cam	1	
10-2	S093574006	送料偏心轮盖板螺钉	Screw 9/64×40 L=6	2	
11	991002012	上轴后套	Mainshaft back sleeve	1	
13	991002013	上轴后套油封	Oil seal of mainshaft back sleeve	1	
14	991002014	拾牙连杆轴挡圈	Snap ring	1	
15	991002015	上轴挡圈	Thrust collar asm	1	
16	S126354006	上轴挡圈螺钉	Screw 1/4×40 L=6	2	
17	991002017	上轴前轴套	Main shaft front bushing asm.	1	
18	991002018	上轴中轴套	Bushing intermediate	1	
19	991002019	挑线杆橡皮套	Rubber	1	
20	991002020	挑线连杆销供油线	Thread take-up crank shaft felt	1	
21	S125952810	手轮螺钉	Screw 15/64×28 L=10	2	
22	280002022	手轮	Hand wheel	1	
23	991002023	上轴	Main shaft	1	
24	991002024	上轴油量调节销	Oil amount adjusting pin	1	
25	991002025	上轴油量调节销O型圈	Rubber ring	1	
26	991002026	送料偏心轮盖板	Thrust collar	1	
27	S145952808	上轴中轴套螺钉	Screw	1	
28	991002028	联轴器(A)	Connect block A	1	
29	M140601006	联轴器(B)	Connect M6×6	3	
30	991002030	联轴器(B)固定螺钉	Connect block B	1	
31	M140601006	联轴器(B)固定螺钉	Screw	3	
32	991002032	直驱电机组件(三代)	Motor asm.	1	
33	M180500816	电机安装螺钉MSX25	Screw	4	
34	991002034	电机安装螺钉垫片	Washer	4	

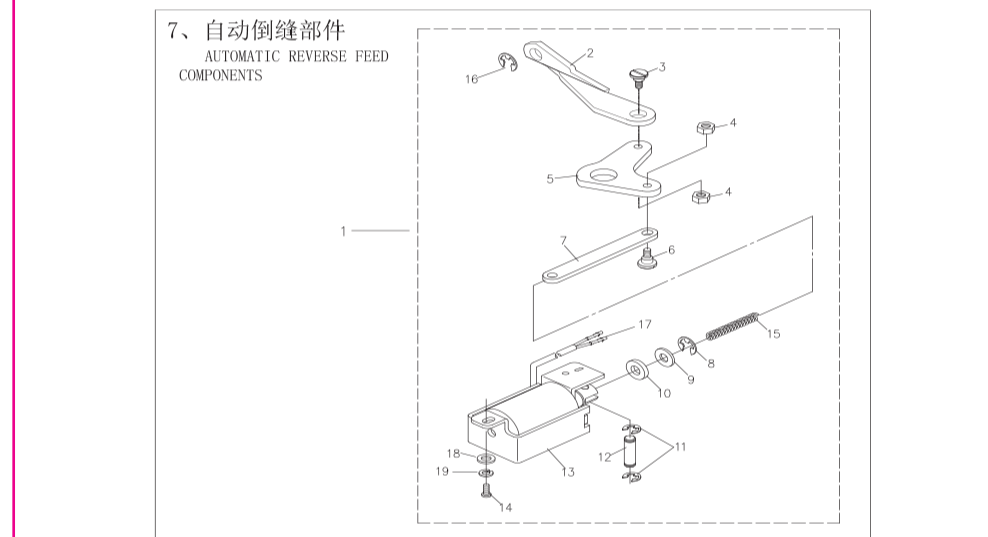


3. 针杆/竖轴/下轴部件 NEEDLE BAR, UPRIGHT SHAFT & HOOK DRIVING SHAFT COMPONENTS					
序号 Ref.No.	新图号 new part No.	名称 Part name	Name of parts	数量 Qty	备注 Note
1	991003001	针杆上孔塞	Cap	1	
2	991003002	针杆上套	Needle bar bushing upper	1	
3	991003003	针杆	Needle bar	1	
3	991003003H	针杆(厚料)	Needle bar	1	
4	280003004	针杆连接柱滑块	Slide block	1	
5	991003004	针杆连接柱	Needle rod holder asm.	1	
6	S073574007	针杆连接柱螺钉	Screw 9/64×40 L=7.5	1	
7	991003007	针杆下套线钩	Needle bar thread guide	1	
8	991003008	针杆下套	Needle bar bushing lower	1	
9	991003010	针杆过线环	Needle bar thread guide	1	
10	S083184405	机针螺钉	Screw 1/8×44 L=4.8	1	
11	991003011	机针	Needle DBx1 #14	1	
11	991003011H	机针 DPx5 #21	Needle DPx5 #21	1	
12	991003012	伞齿轮组件	Gear pinion asm.	1	
12-1	991003014	伞齿轮	Gear asm.	1	
12-2	S126354008	伞齿轮螺钉	Screw 1/4×40 L=8	2	
12-3	991003016	伞齿轮	Pinion asm.	1	
12-4	S126354008	伞齿轮螺钉	Screw 1/4×40 L=8	2	
12-5	S126354008	伞齿轮螺钉	Screw 1/4×40 L=8	2	
12-6	991003019	伞轴下齿轮	Gear asm.	1	
12-7	991003021	下轴伞齿轮	Pinion asm.	1	
12-8	S126354008	伞齿轮螺钉	Screw 1/4×40 L=8	2	
13	S144762807	竖轴上套紧固螺钉	Screw 3/16×28 L=7	1	
14	991003017	竖轴下轴套	Upright shaft bushing,lower	1	
15	991003014	竖轴	Upright shaft	1	
16	991003017	竖轴下轴套	Upright shaft bushing,lower	1	
17	991003028	下轴限油螺钉	Oil seal screw	1	
18	991003027	下轴限油芯	Oil wick	1	
19	280003019	下轴前轴套	Lower shaft front metal	1	
20	991003022	下轴	Lower shaft	1	
21	991006047	下轴中套	Lower axle sleeve	1	
22	280003022	下轴中套油封	Oil Seal	1	
23	991003020	下轴挡圈	Thrust collar asm.	1	
24	S074374005	下轴挡圈螺钉	Screw 11/64×40 L=5	2	
25	991003018	下轴后轴套	Bushing rear	1	
26	S154762813	下轴后轴套螺钉	Screw 3/16×28 L=13	1	
27	991003029	梭壳	Bobbin case	1	
28	991003029	梭芯	Bobbin	1	
29	991003015	旋梭	Hook asm.	1	
30	991003023	旋梭定位勾	Bobbin case holder	1	
31	S084374010	旋梭定位勾螺钉	Screw SM11/64×40 L=9.5	1	
32	930002021	下轴前套油封(前)	oil seal	1	
33	030305068	下轴前套油封(后)	oil seal	1	

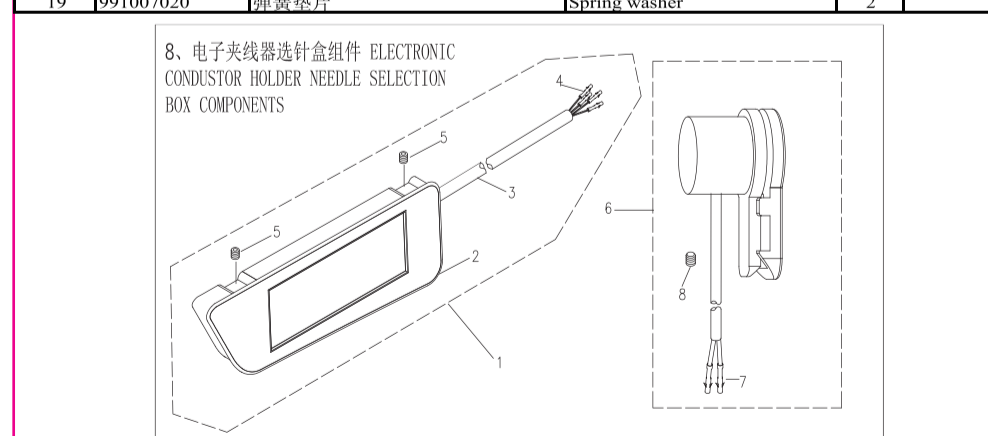


4. 压杆部件 HAND LIFTER COMPONENTS					
序号 Ref.No.	新图号 new part No.	名称 Part name	Name of parts	数量 Qty	备注 Note
1	991004001	压脚板手	Hand lifter	1	
2	S073574008	压脚板手螺钉	Screw 9/64×40 L=10	1	
3	991004003	压脚板手轴O型圈	Rubber ring	1	
4	991004004	压脚板手凸轮部件	hand lifter cam asm	1	
5	991004029	调压簧	Presser adjusting spring	1	
5	991004029H	调压簧 (厚料)	Presser adjusting spring H	1	
6	280004006	压杆导架	Presser bar guide bracket	1	
7	991004005	压杆轴套	Presser bar bushing lower	1	
8	991004031	压杆	Presser bar	1	
9	S073574008	压脚螺钉	Screw 9/64×40 L=8	1	
10	991004009	压脚部件(厚料)	Presser foot asm	1	
10	991004009D	压脚部件(大旋梭)	Presser foot asm	1	
11	991004033	调压螺母	Presser guide bar	1	
12	991004027	调压螺母 (厚料)	Presser adjusting screw nut H	1	
13	991004028	调压螺母	Presser spring regulator	1	
14	991004028H	调压螺母			

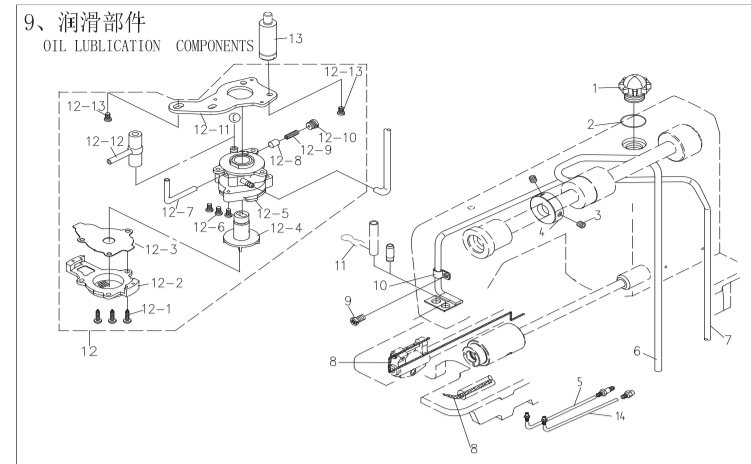
6.自动切线部件 THREAD TRIMMER COMPONENTS					
序号 Ref.No.	新图号 new part No.	名称 Part name	名称 Name of parts	数量 Qty	备注 Note
1	280006001	下动刀架	Lower tool rest	1	
2	280006002	下动刀	Under the knife	1	
3	991006003	下动刀固定螺钉	Screw	2	
4	280006004	上动刀架	Upper tool carrier	1	
5	S074374035	上动刀固定螺钉	Screw	1	
6	S047374035	上动刀紧固螺钉	Screw	1	
7	280006007	刀架压板	Tool holder plate	1	
8	M05300507	刀架压板螺钉	Screw	1	
9	280006009	下动刀架连杆	Lower tool carrier rod	1	
10	280006010	上动刀架连杆	Upper movable knife rest connecting rod	1	
11	280006011	刀架固定轴位螺钉	Axial screw	4	
12	280006012	切刀驱动曲柄	Thread shear rock arm	1	
13	S094763214	螺钉SM3/16"x32 L=14	Screw SM3/16x32 L=14	1	
14	280006014	驱动曲柄止动块	Positioning block	1	
15	991006014	弹簧	Spring	1	
16	S124374010	螺钉SM11/64"x40	Screw SM11/64x40	1	
17	280006017	切线轴套	Axle sleeve	1	
18	991006018	驱动曲柄轴衬套	Short bush	1	
19	280006019	切刀驱动曲柄轴	Cutter crank shaft	1	
20	S073574005	螺钉SM9/64"x40 L=5	Screw SM9/64x40 L=5	1	
21	991006026	扭簧端盖	Spring cover	1	
22	991006027	切线凸轮复位弹簧	Spring	1	
23	S144374008	螺钉SM11/64"x40	Screw SM11/64x40	1	
24	991006030	滚柱	Roll shaft assy	1	
25	991006028	切线凸轮驱动轴	Thread shear rock arm shaft	1	
26	991006031	螺母	Nut	1	
27	991006033	挡圈E6	Retaining ring	1	
28	991006034	电磁铁缓冲垫	Magnetic plug cushion mat	1	
29	280006029	切刀驱动轴	Thread shear shaft	1	
30	991006039	螺母M4	Nut M4	2	
31	991006048	垫圈4.5x8x0.5	Washer 4.5x8x0.5	1	
32	S075952815	螺钉SM1/4"x40	Screw	2	
33	991006040	切线电磁铁支架	Magnetic plug cushion mat	1	
34	991006035	切线电磁铁顶销	Magnetic plug pin	1	
35	991006036	螺母SM1/4"x40	Nut SM1/4x40	1	
36	991006037	垫圈	Washer	1	
37	991006044	剪线电磁铁组件	Electromagnet	1	
38	280006038	压板	Plate	1	
39	S075952815	螺钉SM1/4"x40	Screw	2	
40	280006040	分线片	Thread	1	
41	280006041	剪线凸轮	Thread shear cam	1	
42	991006020	切线凸轮垫	Pole	2	
43	S156354010	螺钉SM1/4"x40 L=10	Screw SM1/4x40 L=10	2	



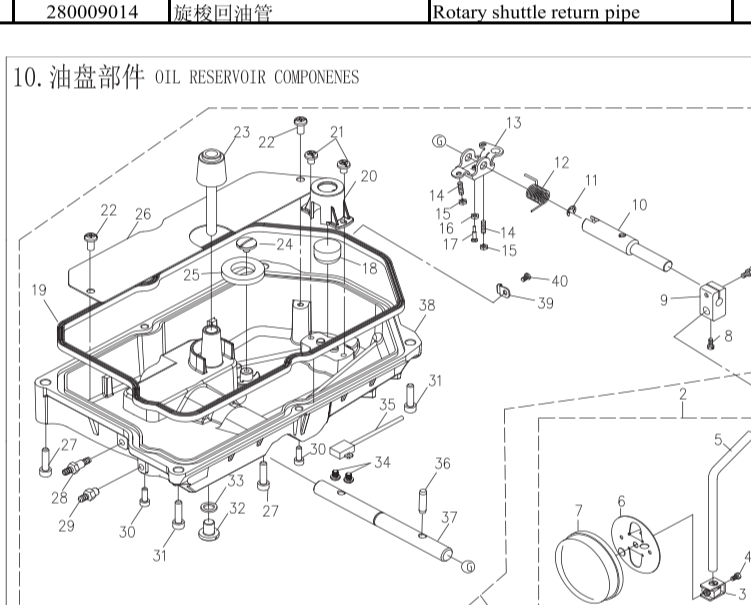
7.自动倒缝部件 AUTOMATIC REVERSE FEED COMPONENTS					
序号 Ref.No.	新图号 new part No.	名称 Part name	名称 Name of parts	数量 Qty	备注 Note
1	991007001	自动倒缝部件	Reverse feed switch asm.	1	
2	991007002	自动倒缝拉杆	Reverse feed connecting shaft	2	
3	991007003	自动倒缝拉杆螺钉	Reverse feed connecting shaft	1	
4	991007004	螺母	Nut	2	
5	991007005	倒缝曲柄	Connecting arm	1	
6	991007006	倒缝曲柄螺钉	Connecting arm screw	1	
7	991007007	倒缝铁芯连杆(57mm)	Reverse feed connecting link	1	
8	991007007D	倒缝铁芯连杆(大旋梭,大针距)	Reverse feed connecting link	1	
9	991007008	倒缝铁芯挡圈	E-ring 20	1	
9	991007009	垫片	Washer 16x24x2.6	1	
10	991007010	橡胶垫片	Rubber plunger	1	
11	991007011	连接销卡簧	E-ring 4	2	
12	991007012	倒缝铁芯连接销	Plunger arm pin	1	
13	991007013	倒缝电磁铁	Reverse feed magnet asm.	1	
14	S075952812	电磁铁紧固螺钉	Screw 15/64x28 L=12	2	
15	991007015	连杆定位簧	Plunger spring	1	
16	991007017	卡簧	E-ring	1	
17	991007018	导线插针	Pin contact	2	
18	991007019	平垫片	Washer	2	
19	991007020	弹簧垫片	Spring washer	2	



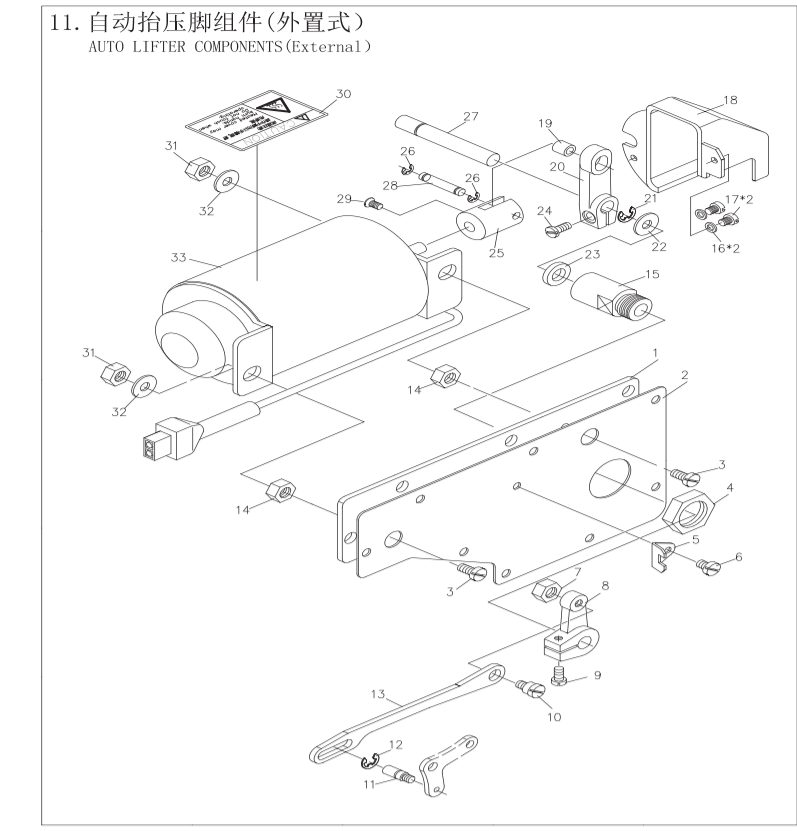
8.电子夹线器、选针盒部件 ELECTRONIC CONDUCTOR HOLDER NEEDLE SELECTION BOX COMPONENTS					
序号 Ref.No.	新图号 new part No.	名称 Part name	名称 Name of parts	数量 Qty	备注 Note
1	280008001	选针盒组件	Needle selection box asm.	1	
2	280008002	选针盒	Needle selection box	1	
3	280008003	电线	2-core cable cord	1	
4	280008004	插针	Contact pin	1	
5	S154374005	选针盒固定螺钉	Screw SM11/64x40 L=5	2	
6	991008005	电子夹线器组件	Electronic conductor holder asm.	1	
7	991008006	插针	Contact pin	1	
8	S124762806	电子夹线器固定螺钉	Screw SM3/16x28 L=6	1	



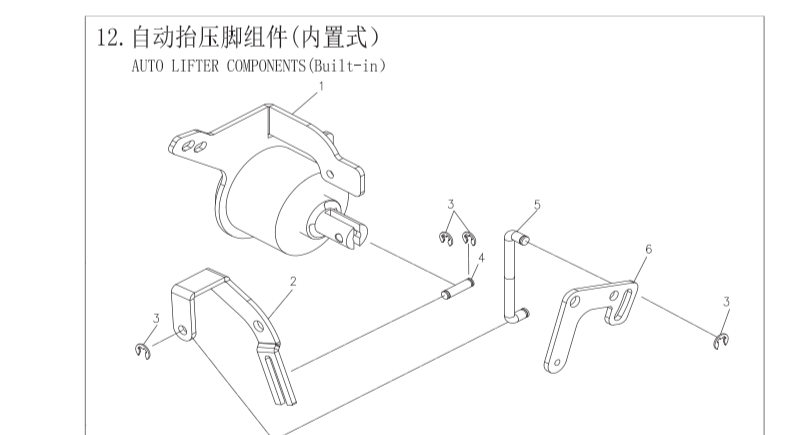
9.润滑油部件 OIL LUBRICATION COMPONENTS					
序号 Ref.No.	新图号 new part No.	名称 Part name	名称 Name of parts	数量 Qty	备注 Note
1	991009001	油窗	Oil sight window	1	
2	991009002	油窗O型圈	Rubber ring	1	
3	991009017	绕线器驱动轮螺钉	Screw	1	
4	991009016	绕线器驱动轮	Bobbin pulley	1	
5	280009005	旋梭供油管	Oil tube	1	
6	991009003	主轴供油管	Main shaft oil tube	1	
6	991009003B	上轴供油管	Main shaft oil tube(B)	1	
7	991009006	回油管	Oil return tube asm	1	
8	991009008	回油管	Oil wick	1	
9	S074762806	回油管夹螺钉	Screw 3/16x28 L=6	1	
10	991009007	回油管夹	Holder	1	
11	991009005	回油毡	Oil felt presser	1	
12	991009012-4	油泵部件	Lubricating oil pump asm	1	
12-1	991009012-4	油泵盖螺钉	Screw D=3 L=10	3	
12-2	991009012-5	油泵盖	Lubricating oil pump cover	1	
12-3	991009012-6	油泵叶轮托板	Oil pump impeller cover	1	
12-4	991009012-3	油泵叶轮	Oil pump impeller	1	
12-5	991009012-2	油泵体	Oil pump	1	
12-6	M073005008	油泵安装螺钉	Screw M3 L=8	3	
12-7	280009012-7	下轴供油管	Hook driving shaft oil tube	1	
12-8	991009012-7	回油柱塞	Plunger	1	
12-9	991009012-8	柱塞簧	Plunger spring	1	
12-10	991009012-9	柱塞螺钉	Plunger screw	1	
12-11	991009012-1	油泵安装板	Oil pump installing base	1	
12-12	991009015	供油管接头	Rubber joint	1	
12-13	S074374010	油泵螺钉	Screw 15/64x28 L=12	2	
13	991009013	油泵连接螺钉	Oil pump support, large	1	
14	280009014	旋梭回油管	Rotary shuttle return pipe	1	



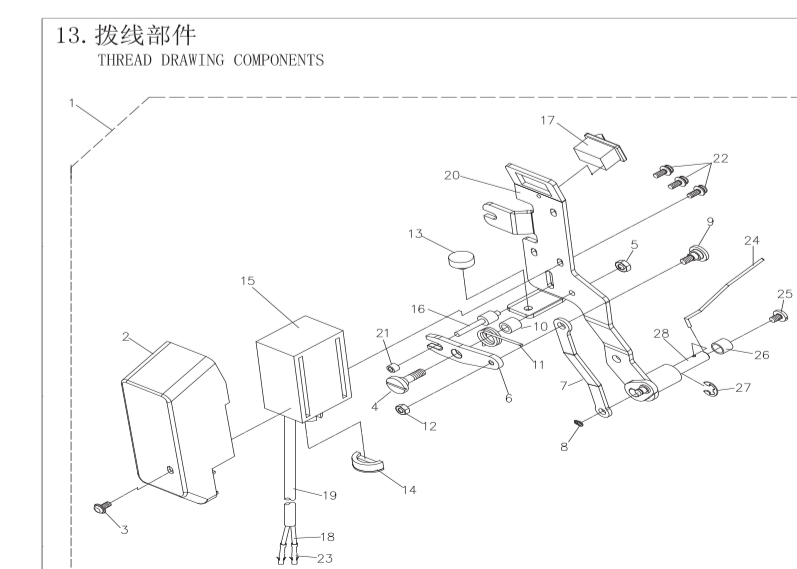
10.油盘部件 OIL RESERVOIR COMPONENTS					
序号 Ref.No.	新图号 new part No.	名称 Part name	名称 Name of parts	数量 Qty	备注 Note
1	280010001	油盘组件	Oil reservoir asm	1	
2	991010016	膝板部件	Knee pan plate asm	1	
3	991010020	膝板杆接头	Knee pan plate support	1	
4	M190601012	接头螺钉	Screw M6 L=12	1	
5	991010017	膝板杆	Knee pan upright shaft	1	
6	991010019	膝板板	Knee pan plate	1	
7	991010016	膝板杆头垫	Knee pan plate cover	1	
8	991010010	膝板杆头螺钉	Screw	2	
9	991010009	抬压脚操纵杆接头	Vertical shaft fitting arm	1	
10	280010010	抬压脚轴连接杆	Lifting the foot shaft connecting rod	1	
11	280010011	抬压脚轴开口挡圈	E-ring 10	1	
12	280010012	双向曲柄扭簧	Spring	1	
13	280010013	抬压脚双向曲柄	Knee lifting rotating arm	1	
14	M120601030	双向曲柄限位调节螺钉	Screw M6 L=30	2	
15	N210601006	双向曲柄限位调节螺母	Nut M6	2	
16	N210601006	双向曲柄螺母	Nut M6	1	
17	M190601018	双向曲柄螺钉	Screw M6 L=17.5	1	
18	280010018	油浮标	Floating oil	1	
19	280010019	油盘密封垫	Oil pan gasket	1	
20	280010020	油浮标底座	Oil buoy base	1	
21	S093574010	油浮标底座固定螺钉	Screw SM3.57 L=10	2	
22	M090400708	挡油板固定螺钉	Screw M4 L=8	1	
23	280010023	抬压脚推杆	Knee lifter push rod	1	
24	280010024	磁铁固定螺钉	Screw SM4.76X28 L	1	
25	280010025	磁铁	Magnet	1	
26	280010026	挡油板	Oil baffle plate	1	
27	M180601040	油盘安装螺钉A	Screw	1	
28	280010028	供油接头	Oil supply joint	1	
29	280010029	回油接头	Return oil joint	1	
30	M180601020	油盘安装螺钉B	Screw	2	
31	S09474012	油盘安装螺钉C	Screw	2	
32	280010032	排油螺钉	Screw	1	
33	280010033	排油螺钉密封圈	Sealing ring	1	
34	M090200406	油量感应器安装螺钉	Screw	2	
35	280010035	油量感应器(霍尔)	Oil sensor	1	
36	280010036	抬压脚轴销	Pin	1	
37	280010037	抬压脚轴	Lifting foot shaft	1	
38	280010038	油盘	Oil pan	1	
39	280010039	压板	Oil pan	1	
40	M07400705	螺钉	Screw	1	
41	280010041	膝板杆连接螺钉	Screw	1	



11.自动抬压脚组件(外置式) AUTO LIFTER COMPONENTS(External)					
序号 Ref.No.	新图号 new part No.	名称 Part name	名称 Name of parts	数量 Qty	备注 Note
1	991011001	后窗板	After the shutters	1	
2	991011002	后窗板垫	The shutters pad	1	
3	S095952812	后窗板螺钉	Screw	2	
4	N210161504	抬压脚轴套螺母	Nut	1	
5	991011005	抬压脚杆限位板	Lifting lever limit plate	1	
6	991011006	抬压脚杆限位板螺钉	Screw	1	
7	N215952803	螺母	Nut	1	
8	991011008	抬压脚杆后曲柄	Lift the lever to drive the crank	1	
9	S184762812	螺钉	Screw	1	
10	991011010	轴位螺钉	Screw	1	
11	991011011	抬压脚后杆连接销	Pin	1	
12	E320501008	卡簧	Circlip	1	
13	991011013	抬压脚后杆连接杆	Lever lever after lifting the foot	1	
14	991011014	螺母	Nutrition	2	
15	991011015	抬压脚轴套	Presser foot collar	1	
16	N220450805	垫片	Washer	2	
17	M070400705	螺钉	Screw	2	
18	991011018	防护罩	Shield	1	
19	991011019	滑块	The slider	1	
20	991011020	抬压脚杆前曲柄	The crank	1	
21	E320801610	卡簧	Circlip	1	
22	W220951810	垫片	Washer	1	
23	991011023	油封	Oil seal	1	
24	991011024	螺钉	Screw	1	
25	991011025	电磁铁接头	Fork type connector	1	
26	E320400908	卡簧	Circlip	2	
27	991011027	抬压脚后杆驱动轴	Lift the pin drive shaft	1	
28	991011028	销	Pin	1	
29	991011029	螺钉	Screw	1	
30	991011030	警示标签	Security label	1	
31	991011031	螺母	Nut	2	
32	W220681910	垫片	Washer	2	
33	991011033	抬压脚电磁铁	electromagnet	1	



12.自动抬压脚组件(内置式) AUTO LIFTER COMPONENTS(Built-in)					
序号 Ref.No.	新图号 new part No.	名称 Part name	名称 Name of parts	数量 Qty	备注 Note
1	280012001	电磁铁组件	Electromagnet assembly	1	
2	280012002	电磁铁连杆	Electromagnet connecting rod	1	
3	E320501008	E型卡簧	E-Circlip	4	
4	280012004	连接销	Connector pin	1	
5	280012005	顶杆	Push rod	1	
6	280012006	抬压脚后杆	Lifting lever link	1	



13.接线部件 THREAD DRAWING COMPONENTS					
序号 Ref.No.	新图号 new part No.	名称 Part name	名称 Name of parts	数量 Qty	备注 Note
1	991012001	接线部件	Wiper asm.	1	
2	991012002	接线壳	Wiper cover	1	
3	991012003	接线壳紧固螺钉	Screw M3	1	
4	991012004	传动板轴位螺钉	Hinge screw	1	
5	N213574003	螺母	Nut 9/64x40	1	
6	991012006	接线传动板	Wiper link A	1	
7	991012007	接线拉杆	Wiper link B	1	
8	991012008	挡圈	E-ring	1	
9	991012009	拉杆轴位连接螺钉	Wiper link B,hinge screw	1	
10	991012010	传动板滚柱	Wiper hinge screw collar	1	
11	991012011	传动板复位簧	Wiper spring	1	
12	N214374003	传动板轴位螺母	Nut 11/64x40	1	
13	991012013	铁芯定位垫	Wiper rubber A	1	
14	991012014	铁芯月牙垫	Wiper rubber B	1	
15	991012015	接线电磁铁组件	Wiper solenoid	1	
16	991012016	传动销	Wiper solenoid shaft	1	
17	991012017	开关	Power switch	1	
18	991012018	导线	Electric wire	1	
19	991012019	导线管	2-core cable cord	1	
20	991012020	接线座组件	Wiper base asm	1	
21	991012021	传动			